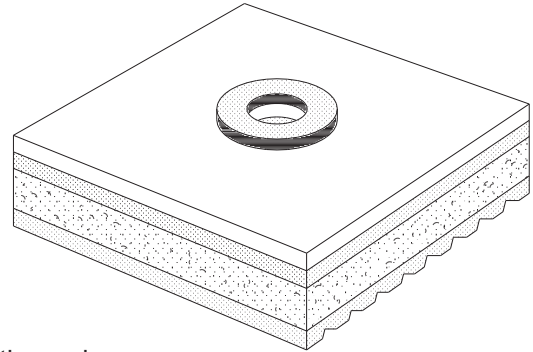




Features and Advantages

- **Load Capacity**
Load capacity to 60 lbs. / sq inch
- **Non-Skid**
Thread surfaces resist “walking”
- **Durable**
Cork and Neoprene are oil and ozone resistant
- **Steel Plate**
Distributes the supported load evenly over the entire face area of the pad

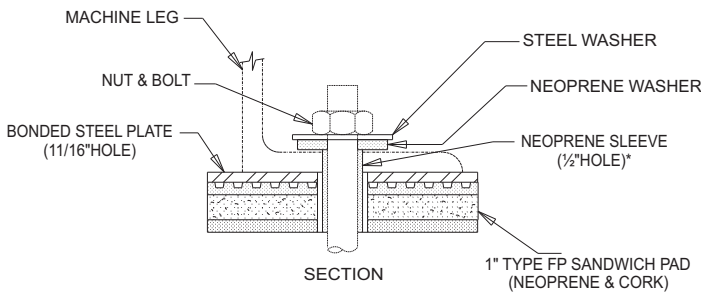


Description

Neoprene provides high deflection for shock and vibration isolation. It resists water, oil, solvents and abrasion.

Steel pad combined with neoprene cork isolation provides excellent shock absorbency. Individual pads have a recessed ribbed design that provides excellent stability and superior gripping action between machinery and the floor. Temperature range is -20° to +200° F.

The neoprene with steel isolation pads are designed for concentrated loads such as a heavy machine with a small leg or a formed sheet metal leg without a bottom surface. This isolator has a 3/4” diameter center hole for bolting through.



TYPE	(MOUNT No.) Max. Load (lbs.)	DIMENSIONS (Inches)				SHIP Wt. (lbs.)
		Length	Width	Thickness	Gage No.	
VT	200	2	2	1-1/8	7	.5
VT	300	2-1/2	2-1/2	1-1/8	7	.5
VT	450	3	3	1-3/16	1	.75
VT	800	4	4	1-3/16	1	1.75
VT	1200	6	4	1-3/16	1	2.25
VT	1800	9	4	1-3/16	1	3.10
VT	2400	12	4	1-3/16	1	4.60

**LARGER SIZE HOLES AVAILABLE ON REQUEST.*